

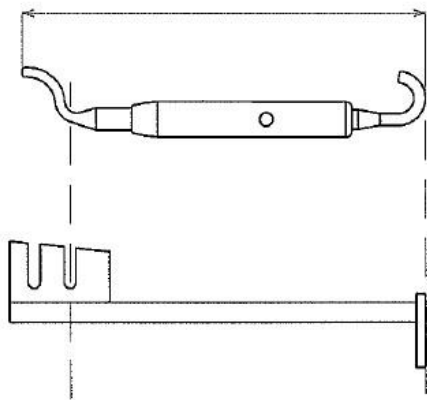
Technical tool: the measuring gauge

January, February, March 2016



The measuring gauge helps to locate precisely the cut on the frame tube and identify the size of the system to use:

Short system:



Long system:

